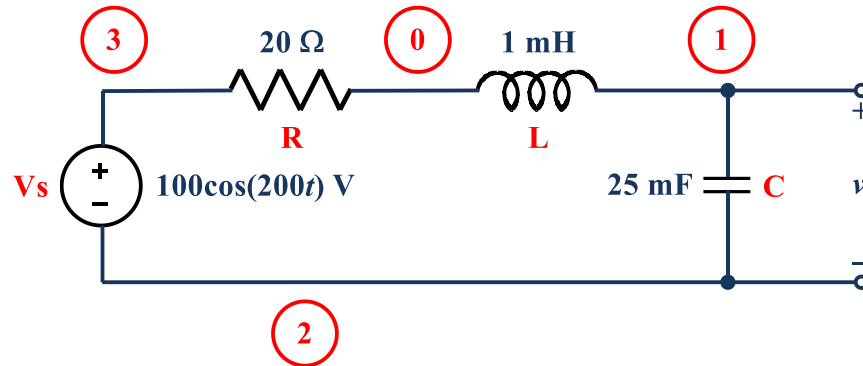


Homework Problem #013

- a. For the circuit shown below:



the following LTspice netlist can be used to determine the magnitude and phase angle of the steady-state AC part of v :

```
Vs 3 2 AC 100 0
R 3 0 20
L 0 1 1m
C 1 2 25m
.AC DEC 1 31.83098861 31.83098861
```

Run the simulation and identify the desired results in the output file.

- b. Use the phasor analysis method to determine the analytical solution, and verify that the LTspice result is correct.